

YMOCA-DCS-DA

Bluetooth controllable DALI controller



Description

DCS-DA is a Bluetooth controllable, Casambi enabled DALI controller. DCS-DA does not have its own power supply. Instead, it is powered directly from a DALI bus.

DCS-DA can be used with a DALI sensor for presence detection or daylight harvesting, or it can be used for controlling DALI drivers that have an integrated DALI bus power supply.

DCS-DA can be controlled with Casambi app which can be downloaded free of charge from Apple App Store and Google Play Store.

Different Casambi enabled products can be used from a simple one luminaire direct control to a complete and full featured light control system where up to 127 units form automatically an intelligent mesh network.

Installation

DCS-DA draws its operating power directly from the DALI bus. For this reason, it is important to make sure that the DALI bus is externally powered. If DCS-DA is connected directly to a DALI sensor or a DALI driver, these products must have an integrated DALI bus power supply. DCS-DA takes three loads from the DALI bus.

Use 0,5-1,5 mm² solid or stranded conductor electrical wires. Strip the wire 6-8 mm from the end. Using wire ferrules is not recommended. Press the buttons on top of the dimmer case and insert the wires into the corresponding holes. The polarity of DA1 and DA2 does not matter.

DCS-DA has two sets of connectors. These connectors are internally connected in parallel with each other. This way the DALI bus can be routed through the product for easy installation.

DCS-DA, as any other Casambi product, should not be placed in a metal enclosure or next to large metal structures. Metal will effectively block radio signals which are crucial to the operation of the product. A thorough connectivity testing is strongly recommended in the installation site.

Technical data

Input
Voltage range: 9,5-22,5 VDC
Max. input current when idle: 5 mA (3 DALI loads)
Max. DALI bus current: 250 mA
Standby power: < 0,1 W

Radio transceiver
Operating frequencies: 2,4...2,483 Ghz
Maximum output power: +4 dBm

Operating conditions
Ambient temperature, ta: -20...+55°C
Max. case temperature, tc: +65°C
Storage temperature: -25...+75°C
Max. relative humidity: 0...80%, non-cond.

Connectors
Wire range, solid & stranded: 0,5 - 1,5 mm²
16 - 20 AWG
Wire strip length: 6 - 8 mm

Mechanical data
Dimensions: 40,4 x 36,3 x 14,0 mm
Weight: 15 g
Degree of protection: IP20 (indoor use only)

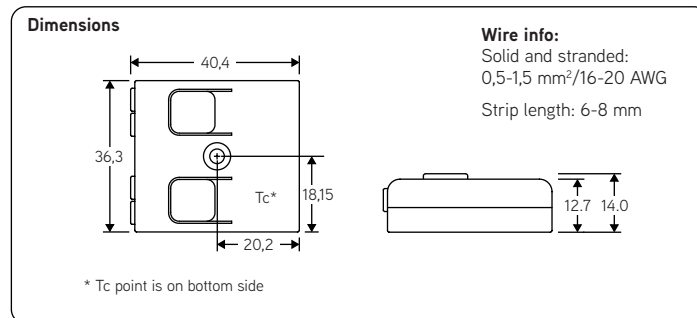
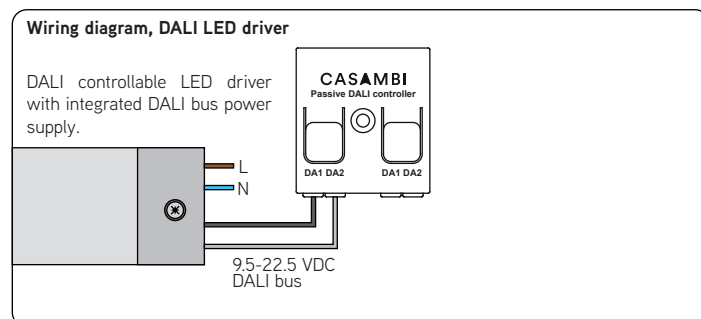
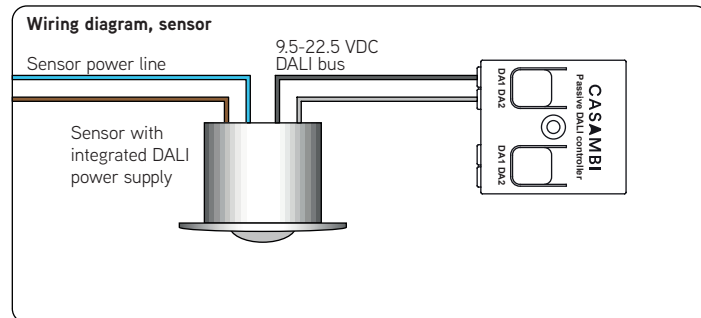
Range

Up to 30 m¹⁾ 50 m¹⁾

Casambi uses mesh network technology so each DCS-DA acts also as a repeater. Longer ranges can be achieved by using multiple Casambi units.

Compatible devices:
iPhone 4S or later
iPad 3 or later
iPod Touch 5th gen or later
Android 4.4 KitKat or later devices produced after 2013 with full BT 4.0 support

¹⁾ Range is highly dependant on the surrounding and obstacles, such as walls and building materials.



Disposal Instructions

In line with EU Directive 2002/96/EC for waste electrical and electronic equipment (WEEE), this electrical product must not be disposed of as unsorted municipal waste.

Please dispose of this product by returning it to the point of sale or to your local municipal collection point for recycling.



RP-Technik GmbH
Hermann-Staudinger-Straße 10-16
63110 Rodgau
www.rp-group.com
info@rp-group.com

RP-Technik GmbH hereby declares that the product YMOCA-DCS-DA is in compliance with Directive 2014/53/EU. The full text of the EU Declaration of Conformity is available at the following internet address:
https://www.rp-group.com/_default_upload_bucket/cbu-dcs-doc-2018-12-14.pdf