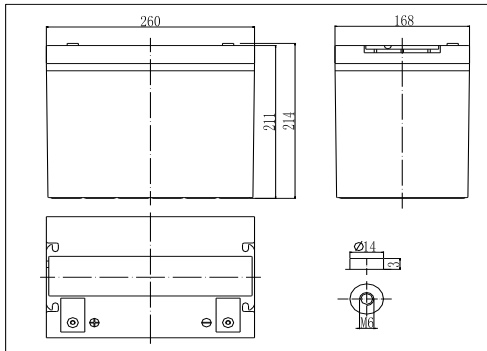


# RPower OGiV12600LP (12V 60Ah AGM Battery)

Floating Life at 20°C designed for up to 12 years

EAN: 4260349823388

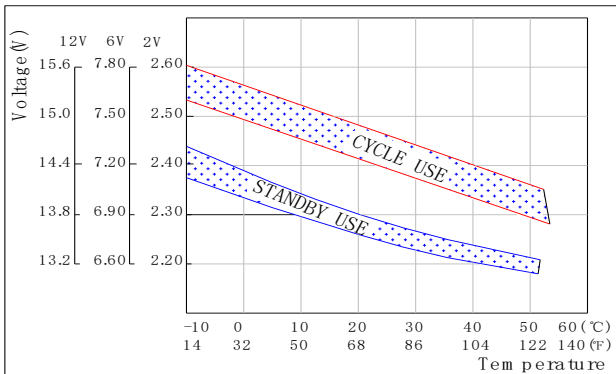
## Dimensions



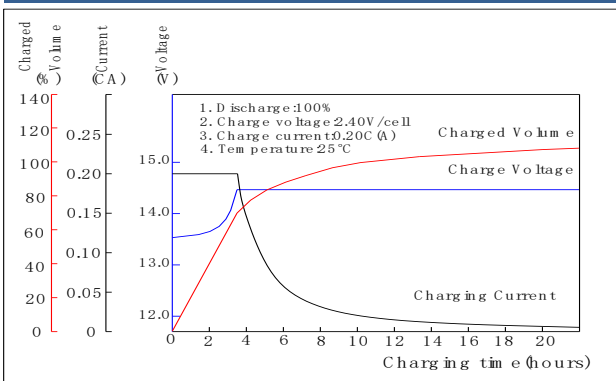
## Specifications

Nominal Voltage		12V
Capacity (10hr@25°C@1.80V/C)		60Ah
Dimensions (±2mm)	Length	258mm (10.2inch)
	Width	166mm (6.54inch)
	Height	206mm (8.11inch)
	Total Height	215mm (8.46inch)
Approx. Weight		20.70kg (45.64lbs)
Maximum charging current		18A
Maximum discharge current		600A (5sec.)
Internal resistance		Approx. 5.7mΩ
Capacity affected by temperature (20hr)	40°C	103%
	25°C	100%
	0°C	86%
	-15°C	65%
Self-discharge (25°C)	3 month	Remaining Capacity: 91%
	6 month	Remaining Capacity: 82%
	12 month	Remaining Capacity: 65%
Nominal operating temperature		25°C ±3°C (77°F±5°F)
Operating temperature range		-20°C~55°C (-4°F~131°F)
Float charging voltage (25°C)		13.65 to 13.80V
Cyclic charging voltage (25°C)		14.40 to 15.00V
Terminal material		Copper

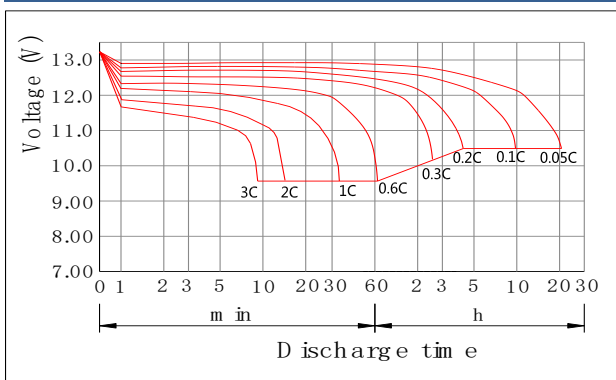
## The Relationship for Charging Voltage and Temperature



## Charging Characteristics (25°C)



## Discharge Characteristics (25°C)



## Constant Current Discharge Characteristics (Ampere / Battery, 25°C)

FV / TIME	5min	10min	15min	20min	30min	45min	1h	2h	3h	4h	5h	6h	8h	10h	20h
10.98V	135,80	99,91	83,42	64,99	54,13	43,46	35,41	20,56	14,26	11,64	9,99	8,44	6,60	5,82	3,01
10.80V	140,00	103,00	86,00	67,00	55,80	44,80	36,50	21,20	14,70	12,00	10,30	8,70	6,80	6,00	3,10
10.50V	150,00	113,00	92,90	70,00	57,90	46,00	37,30	21,80	15,00	12,30	10,50	8,90	6,95	6,05	3,12
10.20V	162,00	122,00	98,20	74,00	59,90	47,10	38,30	22,30	15,40	12,60	10,70	9,10	7,10	6,10	3,14
9.90V	172,00	132,00	103,00	78,00	61,80	48,00	39,30	22,80	15,80	12,90	10,90	9,30	7,25	6,15	3,16
9.60V	182,00	137,00	108,00	82,00	63,70	48,80	40,30	23,30	16,20	13,20	11,20	9,50	7,40	6,20	3,18

## Constant Power Discharge Characteristics (Watt / Battery, 25°C)

FV / TIME	5min	10min	15min	20min	30min	45min	1h	2h	3h	4h	5h	6h	8h	10h	20h
10.98V	1577,22	1140,72	977,76	715,86	616,92	487,72	399,83	242,69	175,76	140,26	122,80	101,85	77,58	69,84	36,26
10.80V	1626,00	1176,00	1008,00	738,00	636,00	502,80	412,20	250,20	181,20	144,60	126,60	105,00	79,98	72,00	37,38
10.50V	1686,00	1260,00	1062,00	744,00	648,00	516,00	423,60	257,40	185,40	148,20	127,80	107,40	81,72	72,60	37,62
10.20V	1806,00	1338,00	1080,00	822,00	660,00	528,00	433,20	263,40	189,60	151,80	129,00	109,80	83,52	73,20	37,86
9.90V	1920,00	1422,00	1098,00	864,00	672,00	538,80	443,40	269,40	193,80	155,40	131,40	112,20	85,26	73,80	38,10
9.60V	1998,00	1458,00	1122,00	912,00	678,00	547,80	454,20	275,40	198,00	159,00	132,60	114,60	87,00	74,40	38,34