

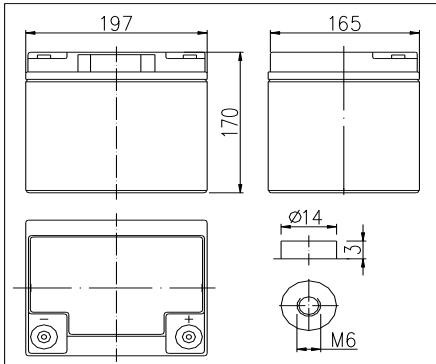
# RPower VDS12-45,0 (12V 45Ah AGM Battery)

VdS No. G117048

EAN: 4260349822671

Floating Life at 20°C designed for up to 6 years

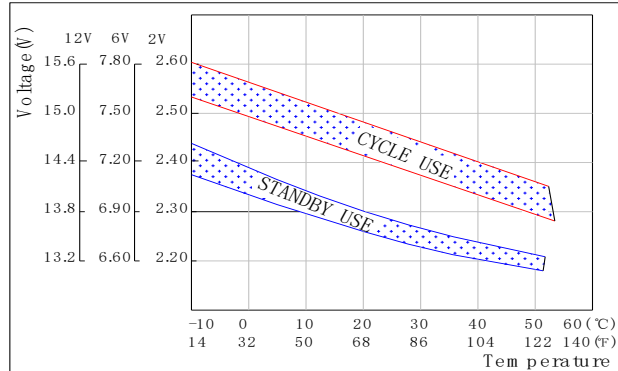
## Dimensions



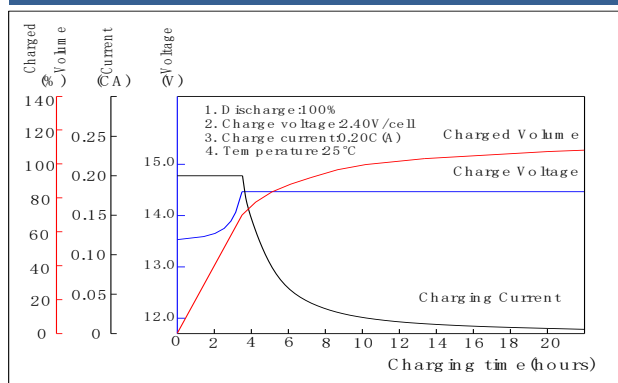
## Specifications

Nominal Voltage		12V
Capacity (20hr@25°C)		45Ah
Dimensions (±2mm)	Length	197mm (7.76inch)
	Width	165mm (6.50inch)
	Height	170mm (6.69inch)
	Total Height	170mm (6.69inch)
Approx. Weight		14.00kg (30.86lbs)
Maximum charging current		13.5A
Maximum discharge current		450A (5sec.)
Internal resistance		Approx. 8mΩ
Capacity affected by temperature (20hr)	40°C	102%
	25°C	100%
	0°C	85%
	-15°C	65%
Self-discharge (25°C)	3 month	Remaining Capacity: 91%
	6 month	Remaining Capacity: 82%
	12 month	Remaining Capacity: 65%
Nominal operating temperature		25°C ±3°C (77°F±5°F)
Operating temperature range		-20°C~50°C (-4°F~122°F)
Float charging voltage (25°C)		13.65 to 13.80V
Cyclic charging voltage (25°C)		14.40 to 15.00V
Terminal material		Copper

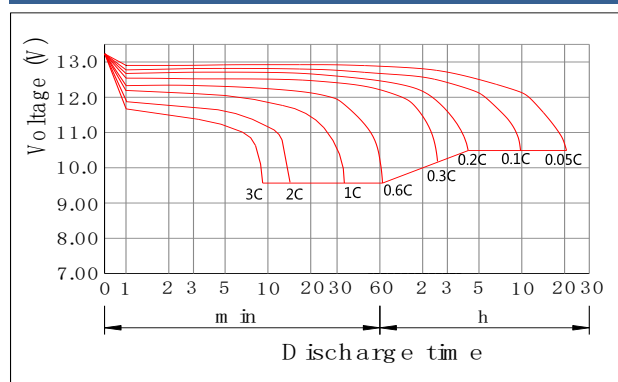
## The Relationship for Charging Voltage and Temperature



## Charging Characteristics (25°C)



## Discharge Characteristics (25°C)



## Constant Current Discharge Characteristics (Ampere / Battery, 25°C)

FV / TIME	5min	10min	15min	30min	1h	3h	5h	10h	20h
10.80V	--	79,40	63,90	40,20	25,40	10,90	7,64	4,50	2,20
10.20V	--	87,90	69,80	42,80	26,80	11,30	7,93	4,56	2,30
9.60V	--	94,50	74,30	45,00	27,90	11,50	8,03	4,58	2,40

## Constant Power Discharge Characteristics (Watt / Battery, 25°C)

FV / TIME	5min	10min	15min	30min	1h	3h	5h	10h	20h
10.80V	--	857,00	701,00	451,00	290,00	128,00	90,30	53,70	27,50
10.20V	--	949,00	766,00	480,00	305,00	133,00	93,70	54,40	28,30
9.60V	--	1021,00	815,00	505,00	318,00	135,00	94,90	54,70	28,90